

Designing for High Winds

Wood is a proven choice for wind-resistive construction

Sponsored by Think Wood | By Jeffrey B. Stone, Ph.D.

Most regions of the United States face high wind hazards with the accompanying threat of wind-related damage to buildings. According to the Insurance Institute for Business and Home Safety (IBHS), high winds cause millions, if not billions, of dollars of damage each year.¹ However, much of this damage could be avoided with a few affordable techniques designed to strengthen buildings against wind forces—techniques that account for interactions between wind loads and building material properties.

All buildings are at risk of experiencing damage during high winds. Each structure, with its own unique set of characteristics, such as stiffness, strength and shape, reacts differently to wind loads. However, wood is conducive to meeting the challenges of wind-resistive design. For example, one of wood's characteristics is that it can carry substantially greater maximum loads for short durations than for long periods of time,² as is the case during high wind events. Wood buildings also tend to be comprised of repetitive framing attached with numerous fasteners and connectors, which provide multiple and often redundant load paths for resistance to wind forces. Further, when structural panels such as plywood or oriented strand board (OSB) are properly attached to lumber floor, roof and wall framing, they form diaphragms and shear walls that are exceptional at resisting high winds. In addition to their other advantages—such as cost-effectiveness and sustainability—

properly designed and constructed wood structures complying with building code requirements have proven to perform well during high wind events.

For example, according to a report on building performance during the 2017 hurricane season by the Federal Emergency Management Agency (FEMA), most wood-frame houses built in accordance with the building code performed well structurally. For these buildings, load path was accounted for throughout the structure, including the connection of the roof deck to supporting trusses and rafters. Because of this, loss of roof decking on newer homes was rare.³

This continuing education course provides an overview of wind-resistive design issues in wood buildings with a focus on compliance with the 2018 *International Building Code* (IBC) and American Society of Civil Engineers/Structural Engineering Institute (ASCE/SEI) *Minimum Design Loads for Buildings and Other Structures* (ASCE 7-16). The information on code-conforming wood design contained in this course is based on the American Wood Council's (AWC's) 2015 *National Design Specification®* (NDS®) for Wood Construction, the 2015 *Special Design Provisions for Wind and Seismic* (SDPWS) and the 2015 *Wood Frame Construction Manual* (WFCM).

STRUCTURAL WIND LOADING

Structural wind loading requirements for buildings and other structures are specified in Chapter 16 of the IBC. The

CONTINUING EDUCATION



EARN ONE AIA/CES HSW LEARNING UNIT (LU)



EARN ONE GBCI CE HOUR FOR LEED CREDENTIAL MAINTENANCE

Learning Objectives

After reading this article, you should be able to:

1. Describe the techniques for strengthening buildings against high wind forces by addressing fundamental interactions between wind loads and building material properties, and review how properly designed and constructed structures using these techniques and complying with building code requirements have been proven to perform well during high wind events.
2. Examine basic parameters for determining wind loads on buildings in accordance with the 2018 IBC and ASCE 7-16 and how wind loads are mitigated by building configurations often associated with wood construction.
3. Evaluate key factors in designing for resistance to high winds such as the effects on calculated wind loads and wind pressures of topography, wind directionality, openings in the structure, and how exposure categories can vary based on surrounding terrain.
4. Recognize the importance of a continuous load path in minimizing damage to wood buildings in a high wind event, and review reports on actual building performance in high wind events

To receive credit, you are required to read the entire article and pass the test. Go to ce.enr.com for complete text and to take the test for free. This course may also qualify for one Professional Development Hour (PDH). Most states now accept AIA credits for engineers' requirements. Check your state licensing board for all laws, rules and regulations to confirm.

AIA/CES COURSE #K1405E
GBCI COURSE #910000366

BUILDING CODES AND LIFE SAFETY

Building codes are intended to protect public health, safety and general welfare as related to the construction and occupancy of buildings and structures. To this end, they establish a minimum level of safety regardless of the building material used. In the case of wind-resistant design, codes address the probability and severity of high wind events by providing design requirements specific to regional risks.

wind loading requirements are obtained primarily through reference to ASCE 7-16. The minimum requirements for wind loads must be used in design and are intended to ensure that every building and structure has sufficient strength to resist these loads without any of its structural elements being stressed beyond material strengths prescribed in the code. The code emphasizes that the loads prescribed in Chapter 16 are minimum loads and, in the vast majority of conditions, the use of these loads will result in a safe building. However, the code also recognizes that the designer may, and sometimes must, use higher loads than those prescribed to ensure a safe structure. The commentary to ASCE 7-16 is a good source to be consulted for additional information since it outlines conditions which may result in higher loading.⁴ In the event that wind speeds specified in the code are exceeded, there is an increased risk of structural damage and possibly failure despite the presence of safety factors in material design standards. For this reason, it is important to ensure that wind loads are properly determined.

MAPPED WIND SPEEDS AND RISK CATEGORY

Today's maps include more comprehensive analysis of wind speeds for both coastal and non-coastal areas than has ever been available. The ultimate design wind speed, V_{ult} , in miles per hour (mph) for the establishment of wind loads is determined using wind speed maps contained in three IBC Figures: Figure 1609.3(1) for Risk Category II buildings, Figure 1609.3(2) for Risk Category III buildings, figure 1609.3(3) for Risk Category IV buildings,

Photo: New Genesis Apartments, Killefer Flammang Architects, KC Kim, GB Construction



Wood buildings are often characterized by repetitive framing and numerous connections—which provide multiple, often redundant load paths for resistance to wind forces.

and Figure 1609.3(4) for Risk Category I buildings. Mapped wind speeds are based on the probability of winds attaining speeds in a geographic area, developed from an analysis of wind speed data collected during severe wind events assuming the following reference conditions: a height of 33 ft above grade and flat, open terrain with scattered obstructions (Exposure Category C) averaged over 3 seconds, i.e., 3-second gust wind speed. Over the years, mapping of wind speeds, along with characterizing effect of surrounding terrain, have evolved with research. For example, earlier maps of ASCE 7 and the predecessor model codes incorporated fastest-mile wind speeds, with fastest-mile being the average speed of one mile of air that passes a specific reference point, with gusts accounted for by pressure coefficients.⁵

Starting with the 2012 IBC, the term “Risk Categories” replaced “Occupancy Categories,” the term used in previous editions. Risk Categories are used to categorize buildings and structures based on their importance and include considerations such as risk to human life and societal need of the building or structure to function during and following an extreme event. Mapped wind speeds for Risk Category III and IV buildings, for which the potential consequence of failure to human life and/or economic impact is greatest, are greater than mapped wind speeds for Risk Category II buildings. Mapped wind speeds for Risk Category II buildings

are greater than for Risk Category I buildings, for which the potential consequence of failure to human life and/or economic impact is relatively small. So for proper design, it is critical to identify the risk category of the building or structure when choosing the wind speed map. The mapped wind speeds for Risk Category II buildings are illustrated on page 4. Detailed descriptions of buildings and structures associated with Risk Category I, II, III and IV are described in IBC Table 1604.5.

USING WIND SPEED MAPS

Mapped wind speed contour lines delineate wind speed increments of either 5 mph or 10 mph and are not intended to represent a zone's fixed wind speed. Linear interpolation of wind speed between contour lines is permitted. For example, a building situated halfway between the 120 mph and 130 mph contours could be designed for a wind speed of 125 mph based on linear interpolation. Alternatively, a design wind speed of 130 mph⁶ could conservatively be used.

Wind Loads on Buildings

Buildings and structures are designed and constructed to resist wind loads, i.e., wind pressure, as opposed to wind speeds. Wind speed, although a significant contributor, is only one of several factors that affect wind loads acting on a building that must be considered in proper design. Factors that affect the calculated design wind loads

(pounds per square foot, or psf) include:

- ▶ Combined gust factor and external pressure coefficients (GC_{pf})
- ▶ Combined gust factor and internal pressure coefficients (GC_{pi})
- ▶ Design velocity pressure

Design velocity pressure varies based on the following factors:

- ▶ Mapped wind speed (which can vary by risk category for a given location)
- ▶ Exposure category
- ▶ Topographic effects
- ▶ Wind directionality
- ▶ Elevation factor

In addition, wind loads may vary based on the building's response characteristics. Provisions of IBC Section 1609 apply only to structures of shapes that do not have unusual response characteristics and which are located on sites that are not subject to channeling effects or buffeting in the wake of upwind obstructions. Channeling, for example, would occur when wind speeds are magnified due to the venturi effect as they are directed between tall buildings, thus subjecting downwind structures to higher wind speeds. Should unusual circumstances exist, the design wind loading must be determined by wind tunnel tests or nationally recognized data.

As an example of design velocity

Photo: FEMA 488, Mitigation Assessment Team Report, Hurricane Charley in Florida



After Hurricane Charley, FEMA noted no structural damage to new wood-frame buildings built to the 2001 Florida Building Code standards.

IBC RISK CATEGORIES

- ▶ **Risk Category I** buildings represent a low hazard to human life in the event of failure, such as agricultural facilities and storage buildings.
- ▶ **Risk Category II** buildings are those not defined as Risk Category I, III or IV, which would include houses, apartment buildings, offices and stores.
- ▶ **Risk Category III** buildings represent a substantial hazard to human life, such as schools and assembly buildings with an occupant load greater than 300.
- ▶ **Risk Category IV** buildings are designated as essential facilities intended to remain operational in the event of extreme environmental loading such as power-generating stations, police and fire stations, and other structures having critical functions.

pressures for specific building locations and risk categories, consider the tables on page 4. All locations identified are within the hurricane-prone region with the exception of Dallas, Texas. As can be seen, for a given location, design velocity pressure in accordance with Equation 1 varies by risk category and exposure category (see Figure below). For example, for Exposure C in West Palm Beach, Fla., a Risk Category II building

has a design wind speed of 170 mph while Risk Category III buildings have a design wind speed of 182 mph and Risk Category IV buildings have a design wind speed of 190 mph. Further, design velocity pressures vary for the same risk category when the exposure category changes. And, as can be seen, design velocity pressures for buildings subject to Exposure D are noticeably higher than for Exposure C.

SURFACE ROUGHNESS AND EXPOSURE CATEGORIES

One of the basic decisions in the design of wind-resistive buildings is determination of exposure category based on the roughness of nearby terrain. For each wind direction considered, an exposure category that reflects the characteristics of terrain surface irregularities must be determined for the site at which the building or structure is to be constructed. The concept of exposure categories provides a means by which to define the relative roughness of the boundary layer. The land or water surface adjacent to the building site exerts a drag force on wind due to obstructions that retard the flow of air close to the surface. The reduction in the flow of air is a function of height above the terrain surface and terrain roughness. Wind speeds increase with height above the terrain. The relationship between height above the water or ground and wind speed is exponential. The rate of increase in wind speeds with height is a function of the terrain features. The rougher the terrain, the shallower the slope of the wind speed profile. The smoother the terrain, the steeper the slope of the wind speed profile.

Categories are used to define this roughness in the boundary layer. The surface roughness within each 45-degree sector around a building site, must be determined for a distance upwind of the site for the purpose of assigning an exposure category. Exposure B is the most common exposure category in the country. Therefore, Exposure B is often the default exposure category. But it is important to recognize that exposure category varies based on conditions at the site and that buildings are often sited on properties of Exposure C and D with attendant higher wind loading.

Over the past decade, there has been significant research in exposure categories associated with shorelines in hurricane-prone regions. Exposure

DESIGN VELOCITY PRESSURES EXPOSURE C ⁷				
Building Location	Risk Category	Design Wind Speed (mph)	ASD* Velocity Pressure** (psf)	LRFD* Velocity Pressure** (psf)
Boston, MA	II	120	18.8	31.3
VA Beach, VA	II	123	19.8	32.9
Miami, FL	II	170	37.7	62.9
Galveston, TX	II	150	29.4	49.0
Dallas, TX	II	106	14.7	24.4
Boston, MA	III	129	21.7	36.2
VA Beach, VA	III	133	23.1	38.5
Miami, FL	III	182	43.2	72.1
Galveston, TX	III	160	33.4	55.7
Dallas, TX	III	111	16.1	26.8
Boston, MA	IV	133	23.1	38.5
Va Beach, VA	IV	138	24.9	41.4
Miami, FL	IV	190	47.1	78.6
Galveston, TX	IV	168	36.8	61.4
Dallas, TX	IV	116	17.6	29.3

*ASD = Allowable Stress Design; LRFD = Load and Resistance Factor Design
 **Exposure C at 33-ft mean roof height, $K_z = 1.0$, $K_{zt} = 1.0$, $K_e = 1.0$

DESIGN VELOCITY PRESSURES FOR EXPOSURE D ⁸				
Building Location	Risk Category	Design Wind Speed (MPH)	ASD Velocity Pressure* (psf)	LRFD Velocity Pressure* (psf)
Boston, MA	II	128	25.2	42.1
VA Beach, VA	II	122	22.9	38.5
Miami, FL	II	170	44.5	74.2
Galveston, TX	II	150	34.7	57.8
Boston, MA	III	140	30.2	50.3
VA Beach, VA	III	132	26.8	44.7
Miami, FL	III	181	50.5	84.1
Galveston, TX	III	160	39.4	65.7
Boston, MA	IV	133	27.3	45.4
Va Beach, VA	IV	138	29.3	48.9
Miami, FL	IV	190	55.6	92.7
Galveston, TX	IV	168	43.5	72.5

* Exposure D at 33-ft mean roof height, $K_z = 1.18$, $K_{zt} = 1.0$, $K_e = 1.0$

C is used along the hurricane-prone coastline, while Exposure D is limited to coastal Great Lakes and other areas where wave heights are assumed to be relatively small and inconsequential to wind flow. Historically, Exposure C was used along the hurricane-prone coastline, while Exposure D was limited to coastal Great Lakes and other areas where wave heights were assumed to be relatively small and inconsequential to wind flow. Wave heights in oceans and Gulf of Mexico waters are significant at the water's surface during a hurricane, thus producing substantial surface obstructions and friction which reduce the wind speed near the surface.

Topographic Effects

In calculation of wind loads, topographic effects are accounted for by use of the topographic factor, K_{zt} . The topographic factor accounts for observations from research and field experience that wind speeds can increase significantly due to topographic effects with the wind speed increase known as a wind speed-up effect. A recognized topographic effect is that buildings located on the upper half of an isolated hill or escarpment may experience increased wind speeds, or wind speed-up, from those for the same building located on level ground. Due to the location-specific nature of the topographic effect, prescriptive solutions

WIND DESIGN AND TORNADOES

Because of the low probability of a tornado occurring in a specific area, the high winds of tornadoes are usually not considered in the development of wind contour maps. However, this does not imply that a building properly designed and constructed in accordance with the building code for higher wind speeds could not withstand winds of weaker tornadoes. (See sidebar below.) Most tornados are weak, rated by the National Weather Service somewhere between EF-O and EF-2 on the Enhanced Fujita Tornado Damage Scale. These storms statistically comprise 95% of all tornados.

Stronger rated tornados (EF-3, EF-4 and EF-5) require more stringent design, but are much less common. Design for higher wind speeds can make a significant difference in a structure withstanding wind loads from even these stronger tornadoes when the structure is located along the outer reaches of the area influenced by the vortex of such storms.

Storm shelters provide safety and security beyond that provided by other building structures. ICC 500-2014: ICC/NSSA Standard for the Design and Construction of Storm Shelters (ICC 500), an accredited national standard of the American National Standards Institute (ANSI), is incorporated by reference in the IBC and International Residential Code (IRC). ICC 500 addresses shelters for hurricanes, tornadoes and combined hazards, ranging in size from small in-residence shelters⁹ (safe rooms) to large community shelters.¹⁰ This code-referenced standard includes structural, architectural, mechanical, electrical and plumbing requirements for protection of the shelter occupants from extreme winds, windborne debris, rainfall flooding, storm surge flooding and related hazards.

Figure 1

ASCE 7-10 VELOCITY PRESSURE	
$q_z = 0.00256K_zK_{zt}K_dV_{ult}^2K_e$	Eq. 1
q_z = ASCE 7-10 velocity pressure evaluated at mean roof height (psf) K_z = velocity pressure exposure coefficient K_{zt} = topographic factor K_d = wind directionality factor V_{ult} = ultimate wind speed (mph) from IBC Figure 1609.3(1), 1609.3(2) or 1609.3(3) K_e = elevation factor	
ASCE 7-16 DESIGN WIND PRESSURE FOR LOW-RISE BUILDINGS	
$p = q_h[GC_{pf} - GC_{pi}]$	Eq. 2
p = design wind pressure (psf) q_h = velocity pressure evaluated at mean roof height (h) GC_{pf} = external pressure coefficient GC_{pi} = internal pressure coefficient	

Standard velocity and wind pressure equations from ASCE 7

for resistance to wind forces are typically based on an assumed topographic effect factor of 1.0.

Wind Directionality

For most wood-frame buildings with wind loads determined in accordance with ASCE 7 load combinations, the effect of wind directionality is accounted for by use of a wind directionality factor, K_d , equal to 0.85. In accordance with ASCE 7 Commentary, the wind directionality factor accounts for two effects: “(1) the reduced probability of maximum winds coming from any given direction and (2) the reduced probability of the maximum pressure coefficient occurring for any given wind direction.”

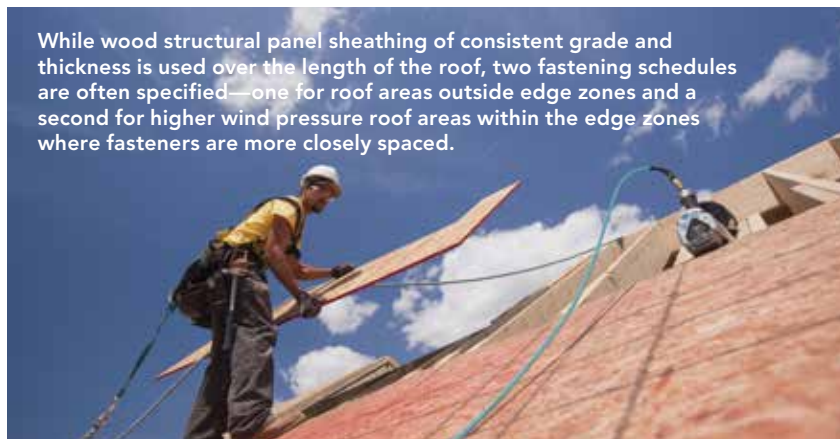
Elevation Factor

A new elevation factor has been added in ASCE 7-16 that accounts for changes in air density at elevations above mean sea level. The revised standard has a table of K_e factors for elevations up to 6000 ft. and a formula used to calculate the K_e factor for any elevation.

Effect of Openings on Internal Pressure Coefficients

Openings in the building envelope also affect the wind pressures imposed on building elements. The presence of openings in the building envelope can have a significant affect on the magnitude of the total wind pressure required to be resisted by each structural element. Depending on the location and size of openings with respect to wind

Photo: Dreamstime



While wood structural panel sheathing of consistent grade and thickness is used over the length of the roof, two fastening schedules are often specified—one for roof areas outside edge zones and a second for higher wind pressure roof areas within the edge zones where fasteners are more closely spaced.

direction and building porosity, external and internal pressures can act in the same direction to produce higher forces on the walls and roof. An example of this effect of openings is illustrated in Figure below. In this scenario, pressures occur on both exterior and interior building surfaces as a result of a large opening in the windward wall of the building. According to this scenario, wind enters the building, exerting internal pressures (positive) against all interior surfaces. This opening has the net effect of producing high internal pressures that will act in the same direction as the external pressures on the roof and leeward walls, adding to the overall pressure on these building elements.

Buildings are designed as being enclosed, partially enclosed or open. For most buildings, designs are based on the building envelope being enclosed. Open buildings are at least 80% open on every wall. Partially enclosed buildings are buildings in which:

- a) The total area of openings in a wall that receives external pressure exceeds the sum of the areas of openings in the balance of the building envelope, and
- b) The total area of openings in a wall that receives external pressure exceeds 4 sq ft or 1% of the area of that wall, whichever is smaller, and the percentage of openings in the balance of the building envelope does not exceed 20%.

Enclosed buildings are those that:

- a) have an opening on the windward wall that is less than 4 sq. ft. or 1% of the area of that wall, and
- b) where the balance of openings in the building envelope does not exceed 20%.

Partially open buildings are those

that do not comply with the requirements for open, partially enclosed, or enclosed buildings. Enclosed and partially open buildings are not prohibited from having openings, provided such openings are small and distributed about the building envelope. Wind loads for typical wood-frame building structures, such as residences, offices and stores are usually based on the condition of the building being enclosed. The interiors of enclosed buildings, e.g., furnishings, equipment and merchandise, are protected from damage caused by wind and wind-driven rain by rated windows and doors.

Windows and doors are not considered openings if they are likely to be closed during a design storm event. Therefore, at a minimum, windows and doors need to be rated to resist the positive and negative design wind pressures. However, in certain hurricane-prone areas there are heightened risks

SURFACE ROUGHNESS CATEGORIES

- ▶ **Surface Roughness B.** Urban and suburban areas, wooded areas or other terrain with numerous closely spaced obstructions having the size of single-family dwellings or larger.
- ▶ **Surface Roughness C.** Open terrain with scattered obstructions having heights generally less than 30 ft. This category includes flat open country and grasslands.
- ▶ **Surface Roughness D.** Flat, unobstructed areas and water surfaces. This category includes smooth mud flats, salt flats and unbroken ice.

EXPOSURE CATEGORIES

- ▶ **Exposure B.** For buildings with a mean roof height of less than or equal to 30 ft, Exposure B shall apply where the ground surface roughness, as defined by Surface Roughness B, prevails in the upwind direction for a distance of at least 1,500 ft. For buildings with a mean roof height greater than 30 ft, Exposure B shall apply where Surface Roughness B prevails in the upwind direction for a distance of at least 2,600 ft or 20 times the height of the building, whichever is greater.
- ▶ **Exposure C.** Exposure C shall apply for all cases where Exposures B or D do not apply.
- ▶ **Exposure D.** Exposure D shall apply where the ground surface roughness, as defined by Surface Roughness D prevails in the upwind direction for a distance of at least 5,000 ft or 20 times the height of the building, whichever is greater. Exposure D shall also apply where the ground surface roughness immediately upwind of the site is B or C, and the site is within a distance of 600 ft or 20 times the building height, whichever is greater, from an Exposure D condition, as defined in the previous sentence.

associated with the likelihood of wind-borne debris breaking glazed openings. In such wind-borne debris regions, glazed openings must be impact resistant or protected with an impact-resistant covering, such as shutters, meeting the requirements of an approved impact-resistant standard such as ASTM E1996 and ASTM E1886.

External Pressure Coefficients

For the design of wood-frame buildings 60 ft in height or less, the “envelope procedure” for determining Main Wind Force Resisting System (MWFRS) loads is the most commonly used. External pressure coefficients from the envelope procedure have been developed to represent critical loads on the main structural elements, which are “enveloped” to reflect induced actions on a building from various wind directions for various building geometries, roof heights and roof slopes. External pressure coefficients for Component and Cladding (C&C), on the other hand, represent peak pressures which occur over small areas. Localized negative pressures associated with C&C loads will almost always control design of exterior sheathing and cladding elements, such as wall sheathing, wall cladding, roof sheathing and roof cladding and the attachment of the sheathing and cladding to the building’s structural frame.

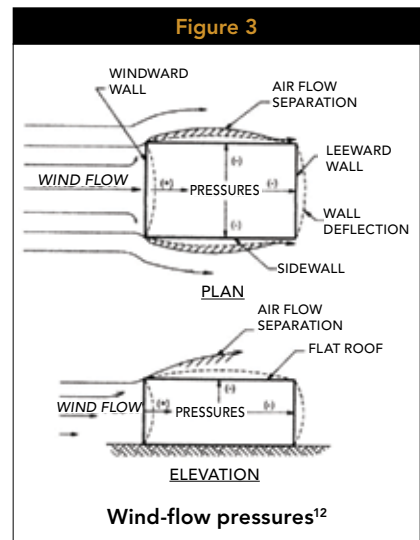
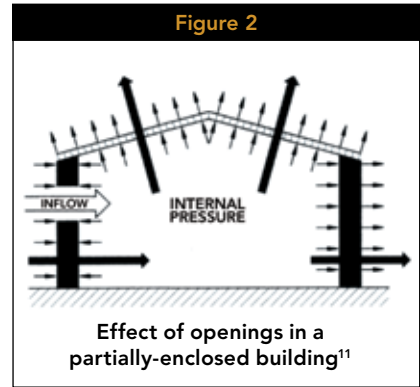
In accordance with ASCE 7, the MWFRS is “An assemblage of structural elements assigned to provide support and stability for the overall structure. The system generally receives wind load from more than

one surface.” Examples of MWFRS elements include roof trusses, roof and floor diaphragms, and shear walls. Individual elements of the MWFRS may also be subject to C&C load requirements. These include sheathing, cladding, wall studs, individual roof rafters and elements of a roof truss, and short-span trusses resisting wind loads from cladding.

When wind encounters a building, the airflow changes direction and produces several varying effects on the building. Exterior walls and other vertical surfaces facing the wind (windward side) and perpendicular to its path are subjected to inward (positive) pressures (loads). The wind continues to flow around and over the building, resulting in outward (negative) pressures (loads). This phenomenon produces suction or outward pressures on sidewalls, the leeward wall and, depending on geometry, the roof.

Wind pressures on a roof vary based on roof slope and location on the roof with greatest wind pressures occurring at roof edges. Roof surfaces on the windward side with flat or shallow slopes are generally subjected to outward (negative) pressures. Moderately sloping roofs (up to 28 degrees) are subjected to an overall negative pressure. The windward side of high-sloping roofs respond similar to walls and sustain positive pressures, while roof sections on the leeward side are subjected to negative pressures. For sloped roofs where the wind direction is parallel to the ridge, the wind pressures act similarly to a flat roof where the roof is subject to outward (negative) pressure.

Images: Florida Building Code Commentary



Increased Pressure at Edge Zones

The greatest wind pressures acting on a building are negative pressures (suction) and the locations of the greatest suction pressures occur at wall and roof edge zones as illustrated in Figure below. Edge zones at wall corners, roof ridge and roof perimeter represent locations of potentially high suction forces relative to the central portions of the wall or roof. The extent of increase in suction forces for roofs depends on roof geometry but increases of two or more times the negative pressures associated with central wall area are possible.

The maximum differences in wall pressures are between central pressures and edge zone pressures; however, the approximately 30% maximum difference will not usually necessitate different nailing schedules and sheathing thicknesses between portions of the wall in the edge zones and away from the edge zones. Wall sheathing thickness and spacing of fasteners attaching the sheathing to wall studs throughout the wall length are commonly based on higher end zone pressures to

simplify installation. For example, reduced sheathing fastener spacing and potentially thicker sheathing necessary for resistance to higher edge zone pressures are commonly used throughout the wall length. Another technique to allow for use of a consistent sheathing thickness and spacing of sheathing fasteners is to reduce stud spacing in wall edge zones. The reduced stud spacing reduces the span of the sheathing between studs and also provides for more points of attachment of the sheathing to the framing for resistance to the higher edge zone suction pressures.

For roof sheathing and roof sheathing attachment, the increase in forces between edge zones and interior zones is larger than observed for walls. While wood structural panel sheathing of consistent grade and thickness is used over the length of the roof, two fastening schedules are often specified.

One fastening schedule is for roof areas outside edge zones where fasteners are spaced farther apart. A second fastening schedule is for higher wind pressure roof areas within the edge zones where fasteners are more closely spaced. The roof sheathing pressures developed from the external pressure coefficients in ASCE 7-16 are higher than in previous versions of ASCE, and thus require more attention to nailing patterns and to nail types and sizes. In some cases, Roof Sheathing Ring Shank nails are required for attachment of roof sheathing to roof framing for resistance to high wind uplift forces.

While generally considered to offer superior resistance to withdrawal from the framing than smooth shank nails, care should be taken to ensure that the ring shank nail specified has both adequate withdrawal strength to secure sheathing to roof framing for wind suction pressures and sufficient lateral strength to develop the required diaphragm behavior of the roof. The 2018 National Design Specification for Wood has specifications on these nails that must be followed.

These specifications have been developed specifically to address the high uplift pressures created by the ASCE 7-16 external pressure coefficients and are referenced in the 2018 Wood Frame Construction Manual. Standard or generic threaded nails do not meet the stringent

WIND-BORNE DEBRIS REGION

Areas within hurricane-prone regions located:

1. Within 1 mile of the coastal mean high water line where the ultimate design wind speed, V_{ult} , is 130 mph or greater, or
2. In areas where the ultimate design wind speed is 140 mph or greater; or Hawaii.

For Risk Category II buildings, the wind-borne debris region is based on IBC Figure 1609.3(1). For Risk Category III buildings, the wind-borne debris region is based on IBC Figure 1609.3(2), and for Risk Category IV buildings, the wind-borne debris region is based on IBC Figure 1609.3(3).

requirements of the NDS specification.

CONTINUOUS LOAD PATH

Building scientists use the term “load path” to describe how forces flow through a building’s structure to the final point of resistance at the foundation. A continuous load path for all wind forces acting on the building must be established for reliable building performance.

A continuous load path must be provided to adequately pass wind forces through the building’s structural elements from the roof to the foundation and, ultimately, to the soil below. In wood-frame buildings, the continuous load path is created by a system of wood framing, structural sheathing, metal connectors, fasteners (such as

nails and screws), diaphragms and shear walls. A continuous load path is like a chain that ties building elements together from the roof to the foundation for both wind shear forces and wind uplift forces. A continuous load path is critical during a high wind event because it helps hold the building together. Anchorage must be provided at appropriate locations to resist wind-induced actions, such as overturning, uplift and sliding. Resistance to wind uplift and overturning is provided by the dead load of and within a building, including weight of foundations and any soil directly above them. However, only the dead load likely to be in place during a design wind event is permitted to be used in design. This requires the designer to exercise caution in using dead loads. Previous editions of the code specified that the overturning moment and sliding due to wind load could not exceed two-thirds of the dead load stabilizing moment. Today, the use of reduced dead loads for resistance to wind induced forces is accomplished through load combinations of IBC 1605.1.

Wood Design Standards

The design of a continuous load path is accomplished by use of code-referenced wood design standards for members, connections, shear walls and diaphragms.

The design standard for wood construction referenced by the IBC is the *National Design Specification (NDS) for Wood Construction*, published by the American Wood Council (AWC). It includes the necessary design procedures and design value adjustment

2011 TORNADOES: THE IMPORTANCE OF LOAD PATH

In 2011, the Southern and Midwestern U.S. experienced an unprecedented outbreak of tornadoes, resulting in the loss of hundreds of lives and thousands of homes.

According to FEMA Mitigation Assessment Team investigations¹³, newer homes generally performed well under design-level wind loading, but a lack of above-code design construction practices left buildings vulnerable to damage.

Appendix G of the report lays out prescriptive techniques that can improve building performance during weaker tornadoes in particular. Among other things, it notes that “Strengthening buildings by maintaining load path continuity and reinforcing connections has proven successful for mitigating hurricane wind damage and provides a good model for mitigating tornado wind damage.” This appendix offers techniques for developing a complete load path starting from an engineered design for wind resistance—i.e., sheathing to roof framing, roof framing to wall framing, and wall framing to foundation connections.

factors for beams, columns, joists, structural glued laminated timber, timber piles, prefabricated I-joists, structural composite lumber, cross laminated timber, and connections, for lateral (including wind and seismic) and gravity loads and certain special loading conditions. It also contains design procedures for calculated fire resistance of exposed wood members. Reference design values for structural sawn lumber, structural glued laminated timber and round timber poles and piles are contained in the NDS Supplement, a compendium of design values as reported by the grading agencies responsible for their establishment.

Another AWC standard integral to wind design, is the *Special Design Provisions for Wind and Seismic* (SDPWS). It is directly referenced by the IBC for the required design of lateral force-resisting systems such as nailed wood-frame shear walls and diaphragms which resist wind, seismic or other lateral loads. Section 2305 of the IBC contains additional criteria, primarily for stapled shear wall and stapled diaphragm construction.

The *AWC Wood Frame Construction Manual for One- and Two-Family Dwellings* (WFCM) provides engineered and prescriptive design requirements and is referenced by the IBC and the IRC. The provisions of the WFCM are based on dead, live, snow, seismic and wind loads derived from the provisions

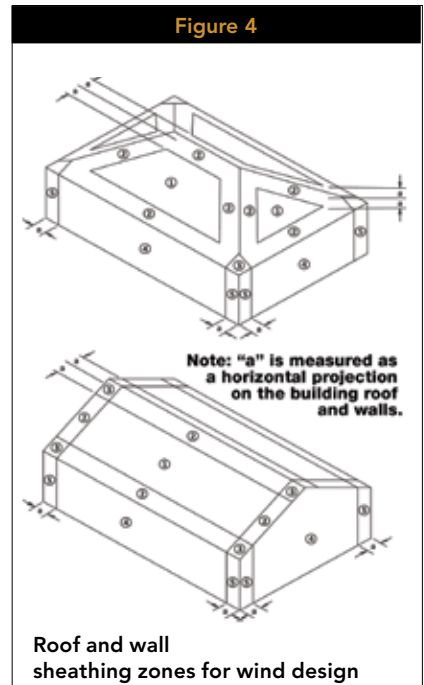
of ASCE 7-16. In general, the framing systems described in the WFCM utilize repetitive member wood assemblies. Although intended for one- and two-family dwellings, the WFCM is a useful tool in the design of non-residential buildings that fit within its scope for building size and assigned loads. The expanded applicability of WFCM design information beyond one- and two-family dwellings is recognized in 2018 IBC Section 2309.

CONCLUSION

Designing a building to withstand the potentially devastating forces of high winds is one of the greatest challenges an architect or engineer can face. Each structure, with its own unique characteristics and site conditions, reacts differently to wind loads—and many complex and interrelated issues must be considered to ensure that a building is truly wind-resistive.

As discussed in this course, wood is a proven choice for wind-resistive construction. Experience has shown that code-compliant wood buildings perform exceedingly well during high wind events such as hurricanes. Wood is strong and most wood-frame buildings offer the advantage of repetitive members and multiple connections, which together create redundant load paths to effectively transfer wind forces from the building envelope to the foundation and soil below.

Image: Florida Building Code Commentary



For the latest research on wood buildings and wind, please visit: research.ThinkWood.com

ENDNOTES

1. <https://disastersafety.org/hurricane/>
2. *2015 National Design Specification (NDS) for Wood Construction*, Section 2.3.2.1, American Wood Council, 2012
3. *MAT Compendium Report, 2017 Hurricane Season, Building Performance Observations, Recommendations, & Technical Guidance*, FEMA P-2054, Sept 2019, <https://www.fema.gov/media-library-data/1573069613211-4ea8aa8052850db11belc06f81dfb0dd/2017HurricaneSeasonMATCompendium.pdf>
4. Basic wind speeds need to be increased where records or experience indicate that the expected wind speed is higher than those reflected in the Figures referenced in Section 1609.1 of the IBC. Ultimate design wind speeds, V_{ult} , for special wind regions indicated near mountainous terrain and near gorges shall be in accordance with local jurisdiction requirements, in accordance with Section 26.5.2 of ASCE 7. In non-hurricane-prone regions, V_{ult} can be determined in accordance with Section 26.5.3 of ASCE 7.
5. The change from fastest-mile wind speed map to a 3-second gust map was necessary for several reasons, foremost of which was that weather stations across the United States ceased collecting fastest-mile wind speed data.
6. Some jurisdictions may, for simplicity of enforcement, default to a single wind speed for all locations between contours. In this case, they would be required to use 130 mph.
7. Philip Line and William L. Coulbourne, *ASCE 7-10 Wind Provisions and Effects on Wood Design and Construction*, American Wood Council, 2012
8. *Ibid.*
9. *Taking Shelter from the Storm: Building a Safe Room for Your Home or Small Business*, FEMA P-320, Fourth Edition, 2014
10. *Safe Rooms for Tornadoes and Hurricanes: Guidance for Community and Residential Safe Rooms*, FEMA P-361, Third Edition, 2015
11. Figure 1609.1.4, *Florida Building Code Commentary – 2004, Vol. II*, page 16-31
12. Figure 1609.1, *Florida Building Code Commentary – 2004, Vol. II*, page 16-25
13. *Spring 2011 Tornadoes: April 25-28 and May 22, Building Performance Observations, Recommendations and Technical Guidance*, FEMA P-908, May 2012